

Bronze Y-pattern Swing Check Valve

Solder Connection • 300 WOG



S-511

Features

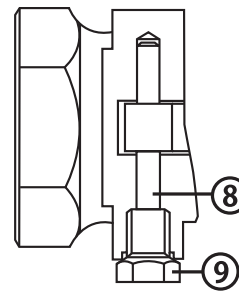
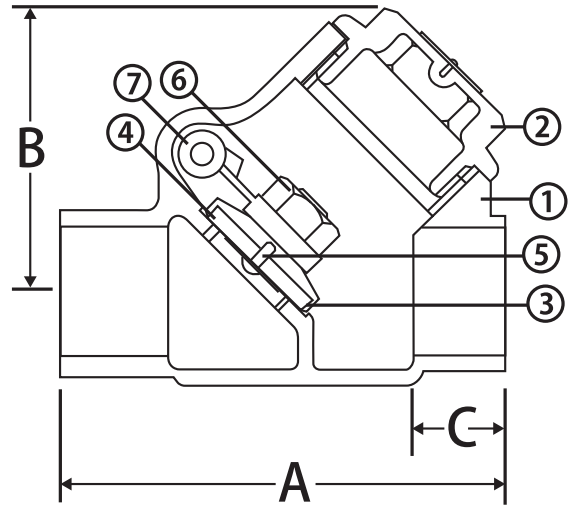
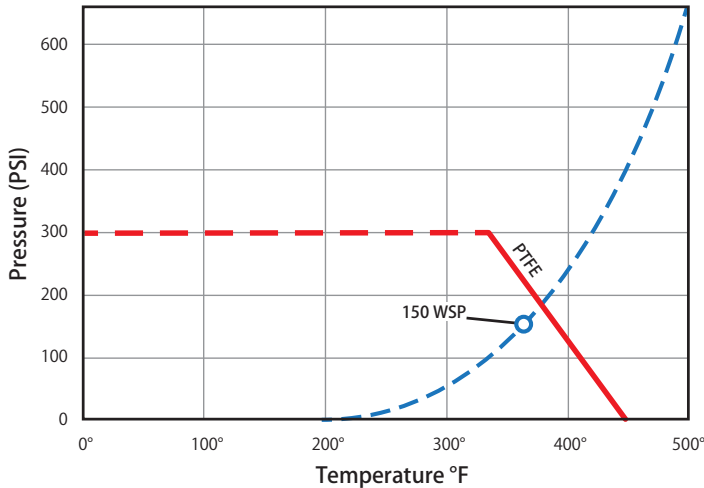
- Constructed of 85-5-5-5 bronze
- Vertical or horizontal positions

Approvals

- MSS SP-80

Valve Seat Rating

300 WOG - 150 WSP



Material Specifications

No.	Part	Materials
1	Body	Bronze
2	Cap	Bronze
3	Disc	Bronze
4	Seat	PTFE
5	Seat Screw	Brass
6	Seat Nut	Brass
7	Hinge Arm	Bronze
8	Hinge Pin	Brass
9	Hinge Screw	Brass

Dimensions

Part No.	Size	A	B	C
105-403	1/2"	2.60	1.77	0.50
105-404	3/4"	3.39	1.97	0.75
105-405	1"	4.09	2.28	0.91
105-406	1-1/4"	4.72	2.67	0.97
105-407	1-1/2"	5.39	2.95	1.09
105-408	2"	6.69	3.70	1.34
105-309	2-1/2"	7.64	4.55	1.47
105-310	3"	8.74	5.37	1.66

Tank Truck Service & Sales, Inc. Warren, Michigan
800-482-2678 www.tanktruckservice.com